



# GA Phone Holder for Communication Aids

16.1240



Rehadapt Engineering GmbH & Co. KG

Heinrich-Hertz-Str. 104  
34123 Kassel, Germany

Tel.: +49 561 220 717 0  
Fax: +49 561 220 717 99

officeteam@rehadapt.com  
https://rehadapt.com

Rehadapt North America

40 Oser Ave, Suite 40-01  
Hauppauge, NY 11788

Tel.: 1 (888) 635-6962  
Fax: 1 (888) 635-6962

officeteam.na@rehadapt.com  
https://rehadapt.com

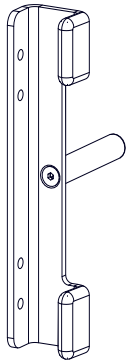


2022-02-24

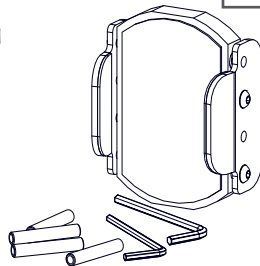
00.5191~A



1x



1x  
14.1252



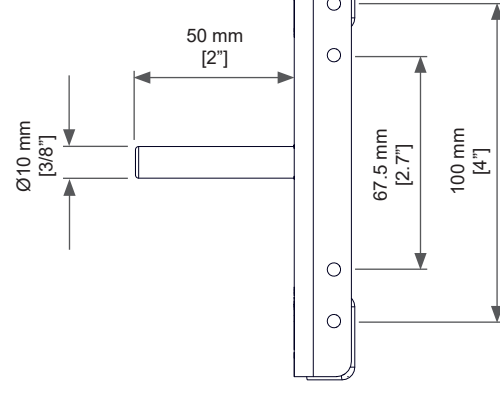
1x  
14.1610



2x  
01.0542



2x  
01.0676

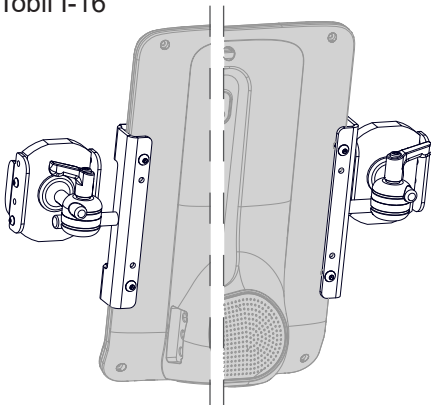


3 mm

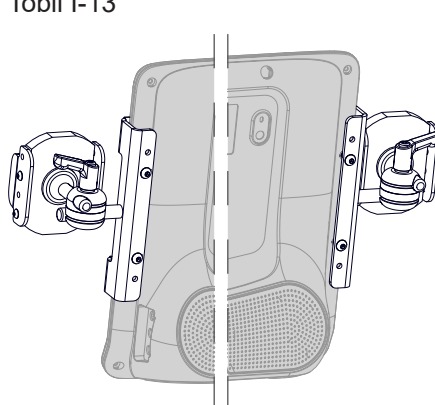


	Gerät / Device	
	Tobii I-16	2 x 01.0542 (M5x16)
	Tobii I-13	2 x 01.0542 (M5x16)
	Grid Pad 12	2 x 01.0676 (M5x10)

Tobii I-16



Tobii I-13



Grid Pad 12

